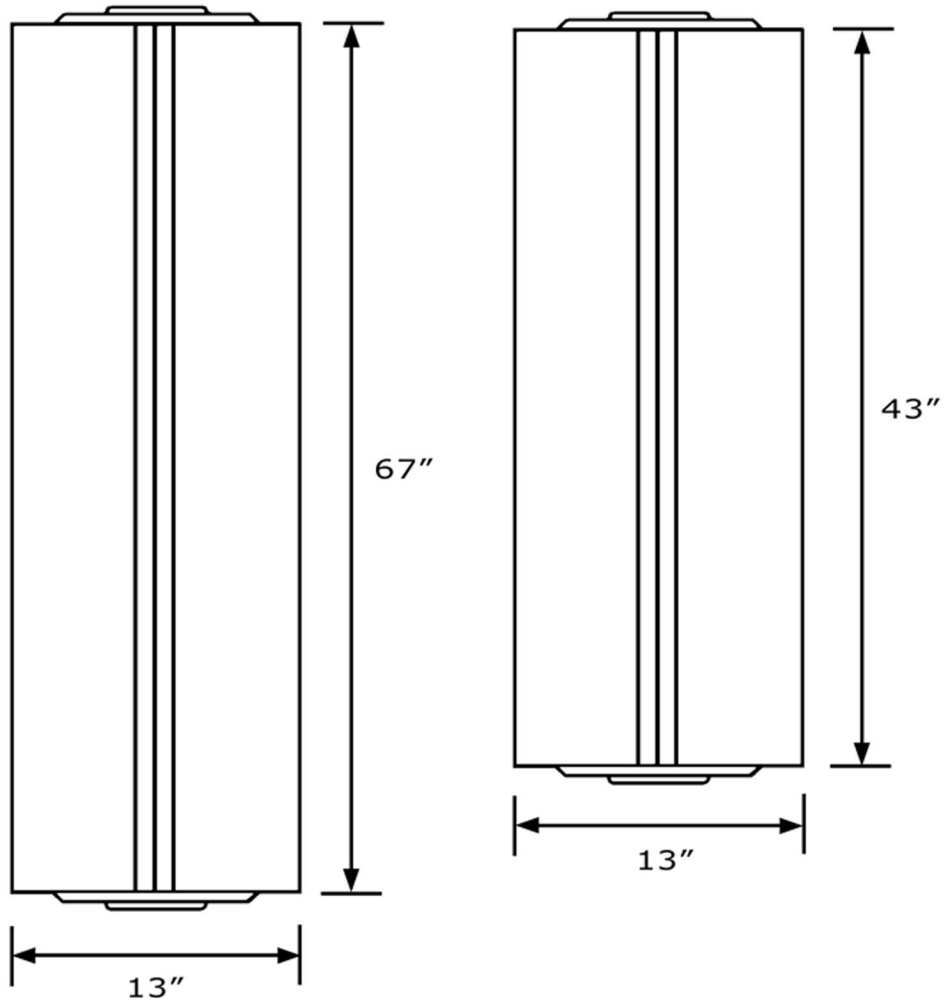
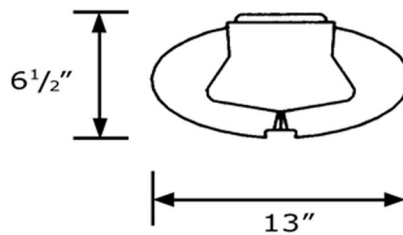


WHCAD



Top View
(for all models)



LIVE WITH STYLE!