

WHITEHAUS
COLLECTION

INSTALLATION
INSTRUCTIONS

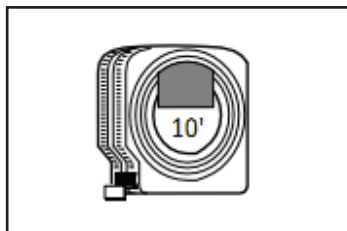
FRONT APRON KITCHEN SINKS

Unpack and inspect your sink upon delivery to avoid costly contractor delays.

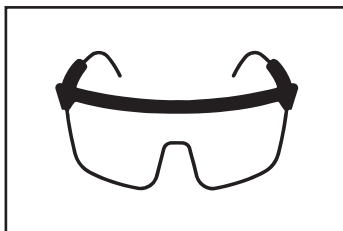


This sink is intended only for under-counter installations of solid-surface composite or natural stone countertops. It is highly recommended that this product be installed by professionals.

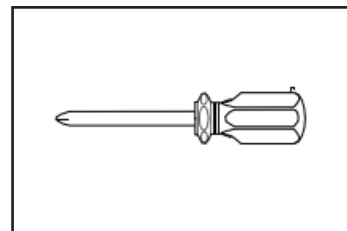
Tools and Materials



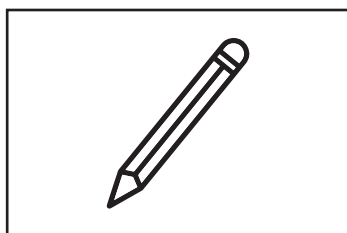
Tape Measure



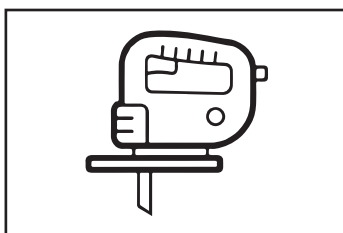
Safety Goggles



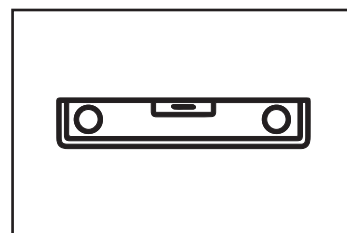
Phillips Screwdrivers



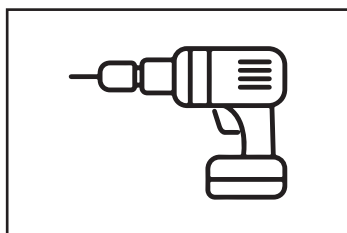
Pencil



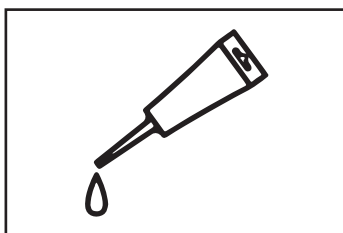
Jigsaw



Level



Drill



Silicone Adhesive

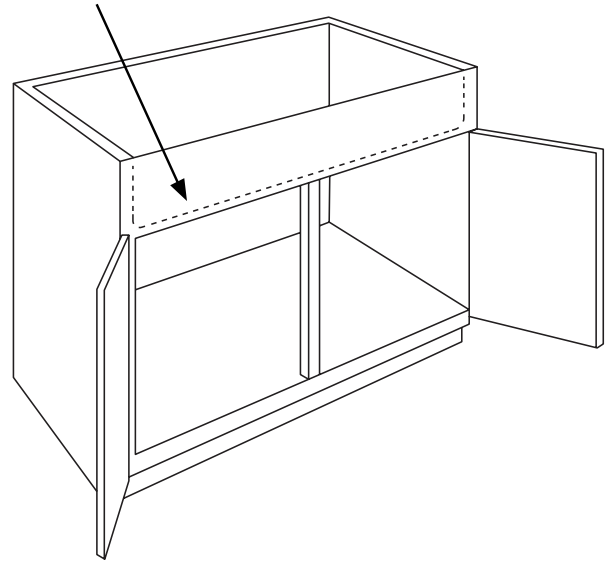
CABINET BASE PREPARATION SINKS

Take measurements of the sink, including the front apron, to determine its size. Proceed to cut the cabinet's face in order to create an opening for the sink to slide into.

To protect the cabinet and sink from any potential damage during the marking and cutting process, use painter's tape.

IMPORTANT: Supplier does not provide a cutout template for fireclay sinks. Prior to installation, discuss with your installer regarding the sink's desired appearance. It is crucial that the cabinet must not undergo any cutting or fabrication without the sink.

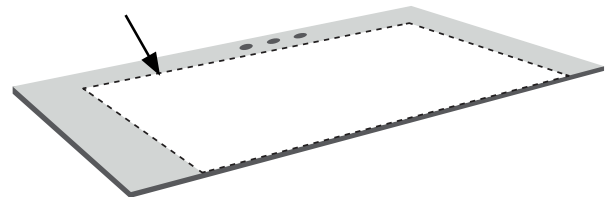
Apron Front Sink Cutout Outline



COUNTERTOP PREPARATION

Accurately measure the sink, taking into account the dimensions of the front apron. Proceed to carefully cut the countertop to create a suitable opening that allows the sink to smoothly slide into place.

Apron Front Sink Cutout Outline



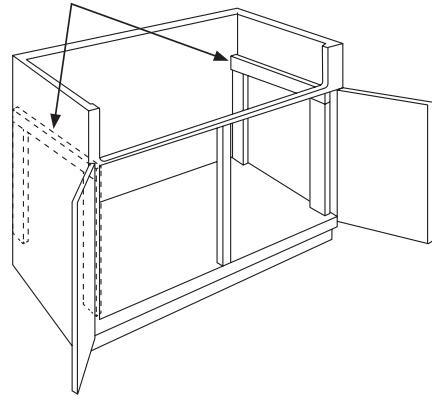
CABINET + SUPPORT FRAME CONSTRUCTION

This step is crucial to ensure that the bottom of the sink is properly supported.

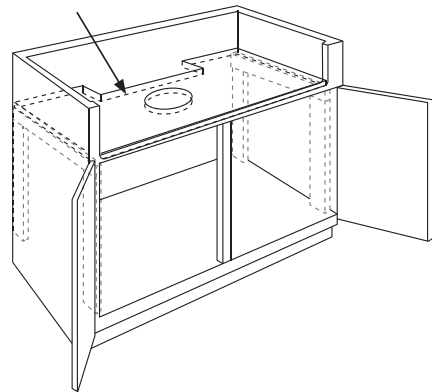
Build a wooden support frame that will fit within the cabinet opening. Make sure that there is enough clearance provided to accommodate the water supply lines and drainage system. The illustration on the right shows the recommended design for the support frame, comprising four vertical supporting strips, two horizontal supporting strips, and one supporting board. Please note that your installer may suggest an alternative support frame design to meet specific requirements.

IMPORTANT: Both the base cabinet and wood support frame are integral for a proper installation. It is important to note that when the sink is filled to capacity, it weighs approximately 300 lbs. Therefore, the base cabinet and support frame must provide ample support to withstand this weight effectively.

Support Strips



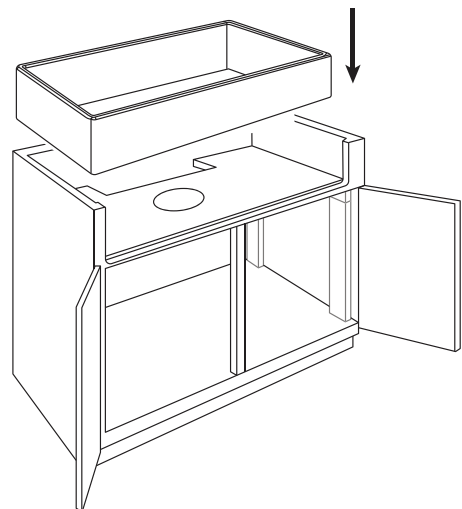
Support Board



SINK INSTALLATION

With the assistance of another person, carefully lift the sink and position it into place. Make sure that the sink fits within the cabinet opening and rests securely on the supporting system. Once placed, verify the levelness of the sink to ensure proper drainage.

IMPORTANT: There is a risk of personal injury or product damage. Please exercise caution and handle with care. This product is susceptible to breakage, chipping, and can potentially cause injury or damage if mishandled.



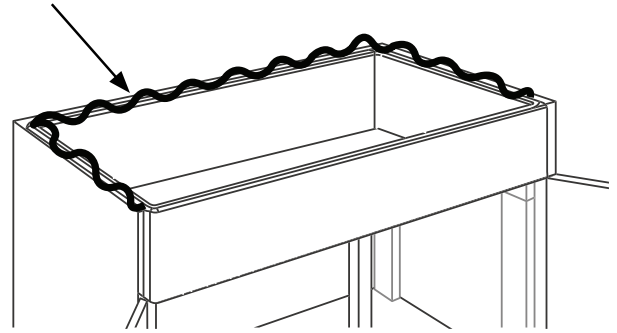
COUNTERTOP INSTALLATION

After the cleaning process is complete, proceed to apply a line of silicone sealant along the top flange (or lip) of the sink and the countertop. This will establish a secure and watertight seal. Promptly clean off any excess silicone.

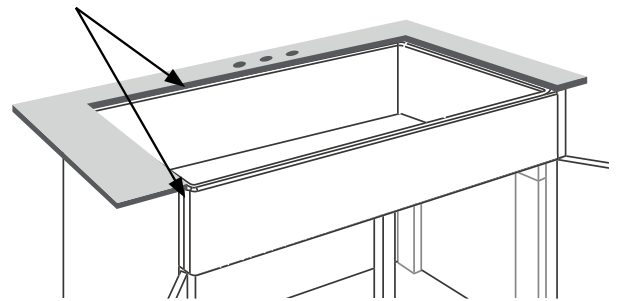
Take a moment to assess the appearance and confirm that the sink is level.

IMPORTANT: Apron front sinks from should only be fastened to a solid surface countertop.

Apply Silicone Sealant After Cleaning the Sink Edge and Countertop



Apply Silicone Sealant Where the Sink Meets the Countertop and Cabinet



WHITEHAUS
COLLECTION

For general questions or information:

General inquiries:

info@whitehauscollection.com

Phone: 800-527-6690