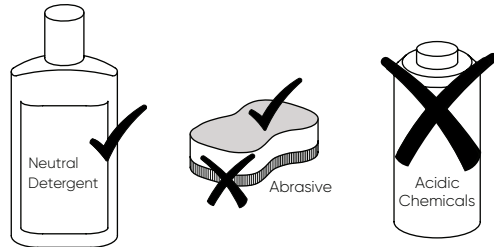


MAINTENANCE

Sprayer set: Use only liquid cleansers or soapy water. Anti-lime or acidic cleaners such as scouring agents or abrasive sponges are to be avoided. Polish with a soft cloth.

Finish: Clean the surface with mild soap and water. Wipe dry with a dry, clean, soft cloth after each use.

DO NOT USE CLEANERS WHICH CONTAIN ACIDS, HARSH CHEMICALS OR ABRASIVES.



WARRANTY

Whitehaus Collection® hand-held bidet sprayer set carries a limited warranty to be free of manufacturing defects of both material and workmanship.

Harm caused by improper cleaning, maintenance or installation are the sole responsibility of the purchaser and are not covered by the manufacturer's warranty.

Hand-held bidet sprayer set carries a 1 year warranty against manufacturer's defects.

WHITEHAUS COLLECTION

If you have any questions, please call us at:

Phone: 800-527-6690

Fax: 800-694-4837

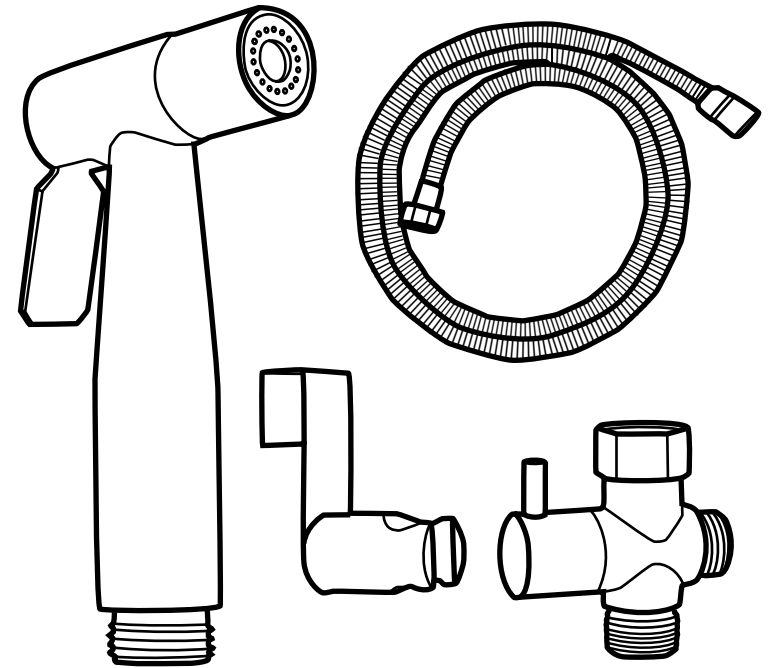
General inquiries: info@whitehauscollection.com

For purchase orders, email us at:
orders@whitehauscollection.com

WHITEHAUS COLLECTION

HAND-HELD BIDET SPRAYER SET

WH771



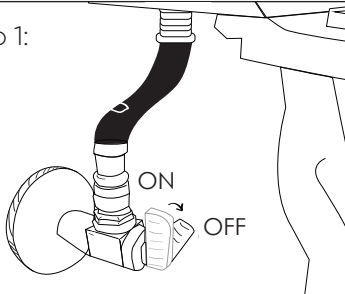
INCLUDES:

INSTALLATION
PARTS & DIMENSIONS
OPERATION
MAINTENANCE
WARRANTY

INSTALLATION

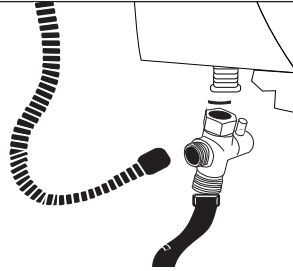
Before installing a new bidet, properly flush out the pipework to remove any debris.

Step 1:



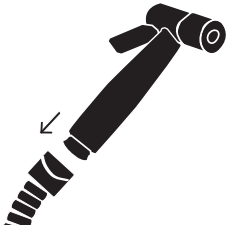
Turn off the toilet's water supply valve at the wall, then flush and hold the handle down to empty the tank.

Step 2:



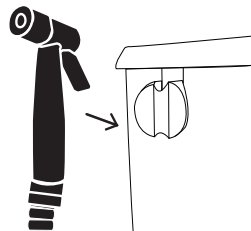
Disconnect the flexible water supply line under the toilet. Ensure the Flat Rubber Washer is in the top of the T-Valve. Attach the T-Valve to the toilet tank, then reconnect the supply line to the T-Valve. Do not over tighten.

Step 3:



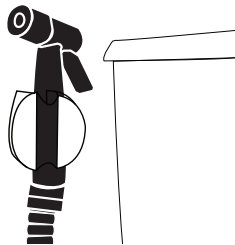
Attach the bidet hose to the middle of the T-Valve and the other end to the bidet sprayer head.

Step 4a:



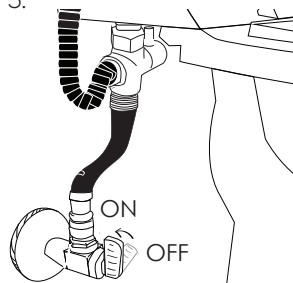
Toilet Mount - Attach the holster mount to the toilet tank clip with the provided screw, then hang the sprayer holster on the side of the tank.

Step 4b:



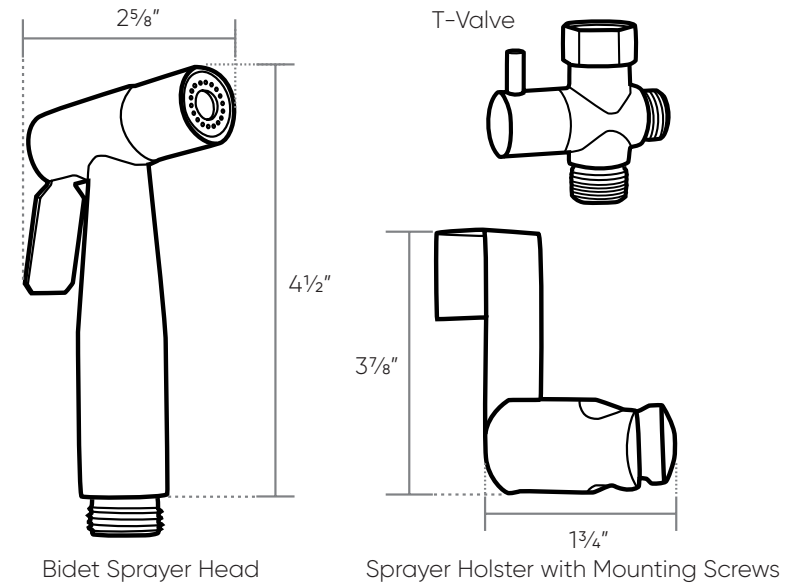
Wall Mount - Remove the toilet hook from the holster mount. Attach the holster mount to the wall near the toilet using the provided drywall screws and anchors.

Step 5:



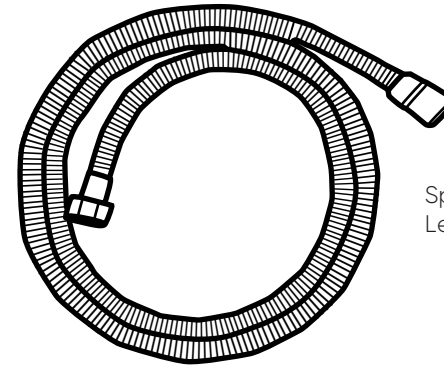
Turn the water back on and check for leaks, using plumber's tape if needed. Wait five minutes and recheck. If no leaks, you're finished.

PARTS & DIMENSIONS



Bidet Sprayer Head

Sprayer Holster with Mounting Screws



Sprayer Bidet Hose
Length: 60"

OPERATION

1. Open the T-Valve to allow water flow to the Bidet Sprayer.
2. Point the Bidet Sprayer in the appropriate direction and press the button to release the water wash.
3. Close the T-Valve to turn off the water when finished.



After each use, turn off the T-valve to halt water supply to the bidet hose and sprayer. Rough handling, misuse, drops, or wear can cause leaks in these parts. To prevent water damage, never leave the sprayer pressurized when not in use. For rigid toilet tank-valve pipes, replace with flexible hose.