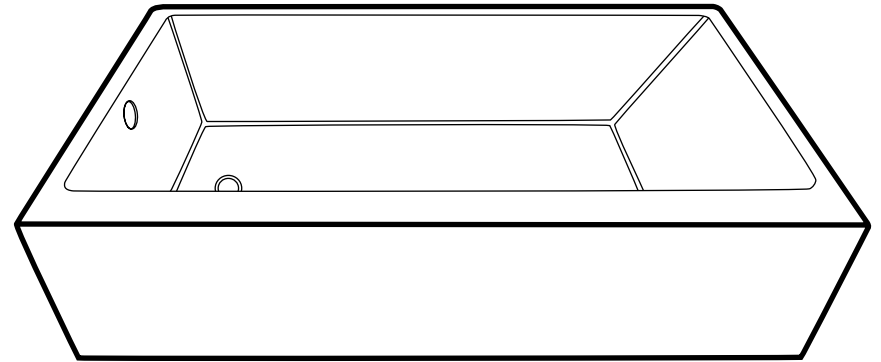


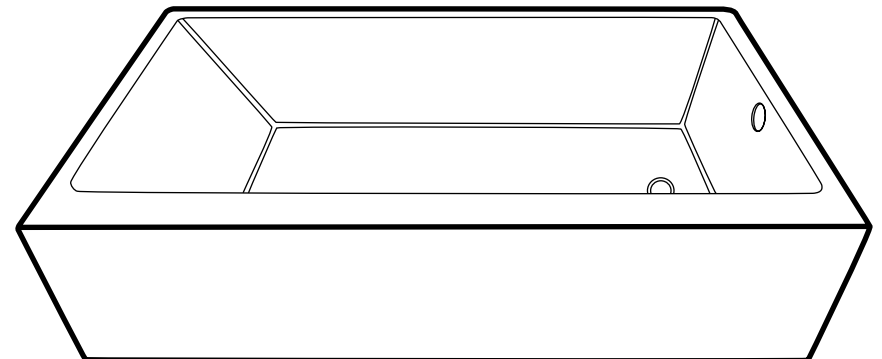
WHITEHAUS COLLECTION

RECTANGULAR ALCOVE BATHTUB

WHAB6030-L-WH
LEFT DRAIN INSTALLATION



WHAB6030-R-WH
RIGHT DRAIN INSTALLATION



WHITEHAUS COLLECTION

If you have any questions, please call us at:

Phone: 800-527-6690

Fax: 800-694-4837

General inquiries: info@whitehauscollection.com

For purchase orders, email us at:
orders@whitehauscollection.com

PRIOR TO INSTALLATION

The tub is self-supporting and must be installed on a smooth, level subfloor. The floor should be supported in both directions, and on each board, back, middle and front.

NOTE:

Structo-Lite is recommended when the floor is uneven or older, in the case of most remodeling jobs.

CAUTION: TAKE EXTRA CARE WHEN DRIVING NAILS OR SCREWS TO AVOID DAMAGES

TOOLS & MATERIALS REQUIRED

- | | |
|------------------------------|---------------------|
| • Level | • Caulking Gun |
| • Square | • Nails |
| • Tape Measure | • Plumber's Putty |
| • Pipe Wrench | • Silicone Sealant |
| • Slip Joint Pliers | • Drop Cloth |
| • Screw Driver | • Slip Joint Pliers |
| • Standard Woodworking Tools | • Structo-lite |
| • Personal Safety Equipment | |

LIMITED LIFETIME WARRANTY

9. Responsibility for adherence to local code requirements. (Since local code requirements differ greatly, distributors, retailers, dealers, installation contractors and users of plumbing products should ascertain whether there are any code restrictions on the installation or use of a specific product).

This limited warranty gives you specific legal rights. You may have other statutory rights that vary by state, province or jurisdiction, in which case this warranty does not affect such statutory rights.

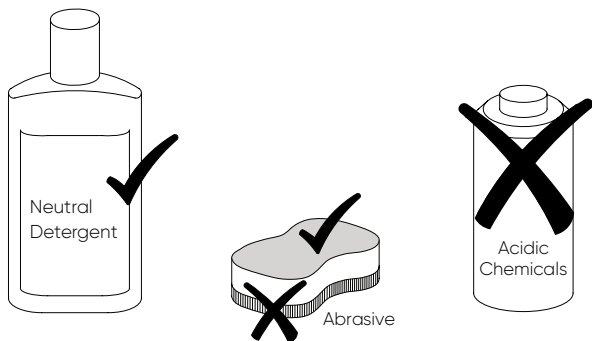
To avail service under this warranty, it is recommended that a claim be made through the contractor or dealer from or through whom the product was purchased.

Please call 800-527-6690 for more information.

MAINTENANCE

Use only liquid cleansers or soapy water. Anti-lime or acidic cleaners such as scouring agents or abrasive sponges are to be avoided. Polish with a soft cloth.

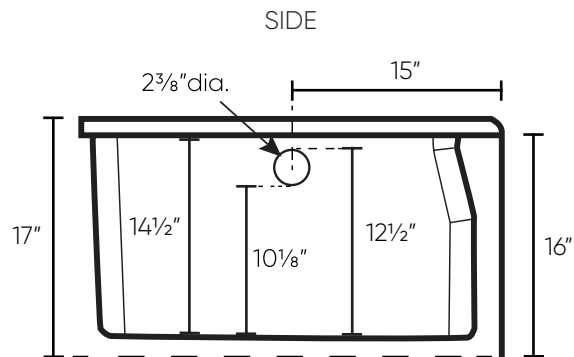
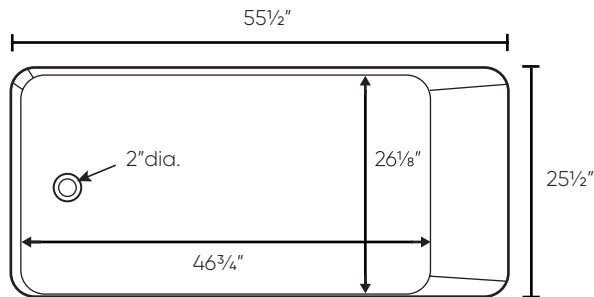
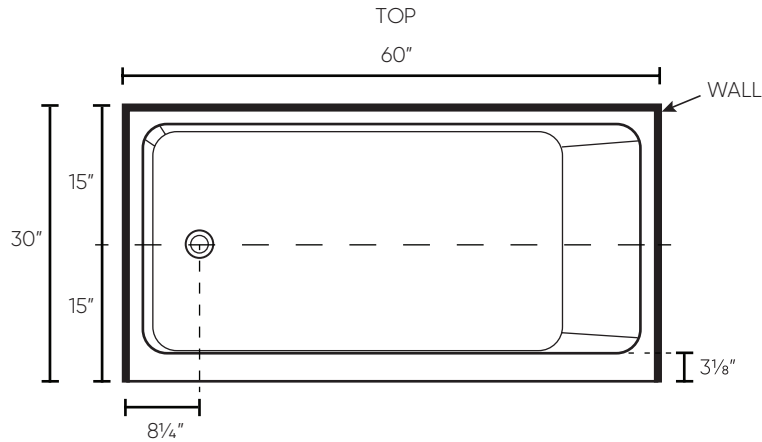
DO NOT USE CLEANERS WHICH CONTAIN ACIDS, HARSH CHEMICALS OR ABRASIVES.



DIMENSIONS

WHAB6030-L-WH • WHAB6030-R-WH

Left or right drain hole installation



TECHNICAL INFORMATION

CODES/STANDARDS APPLICABLE

IAPMO/ANSI Z124.1.2-2005.
 CSA B45.5-11/IAPMO Z124-2011/ASME A112.19.1
 Uniform Plumbing Code (UPC®)
 National Plumbing Code of Canada

COLOR/FINISH

High Gloss Acrylic Surface - White

SPECIFICATIONS

Capacity: 59.03 gallons (223L)
 Weight: 99lbs. with a solid bottom
 Overall Dimensions: 60" x 30" x 17" (L x W x H)
 Basin Area (top): 55 1/2" x 25 1/2"
 Basin Area (bottom): 46 3/4" x 26 1/8"

INSTALLATION NOTES

Refer to install installation instructions included with fixture before beginning installation. (p.2)

Floor support under the bath must provide for a minimum of 49 lbs/square foot (239 kg/square meter) loading.

LIMITED LIFETIME WARRANTY

Whitehaus Collection warrants to the original consumer/purchaser that all bathing tubs sold under the Whitehaus Collection name comes with a limited lifetime warranty. The company reserves the right, at its sole discretion, to repair or replace this bathing pool - if it is found to be defective under normal residential use and maintenance as long as it is owned by the original purchaser. Please note: portions of the Whitehaus Collection tubs are handcrafted.

Under no circumstances shall Whitehaus Collection be liable for costs incurred in the repair or replacement of installation materials including but not limited to tile, marble, etc. This limited lifetime warranty is not applicable on Commercial Installations.

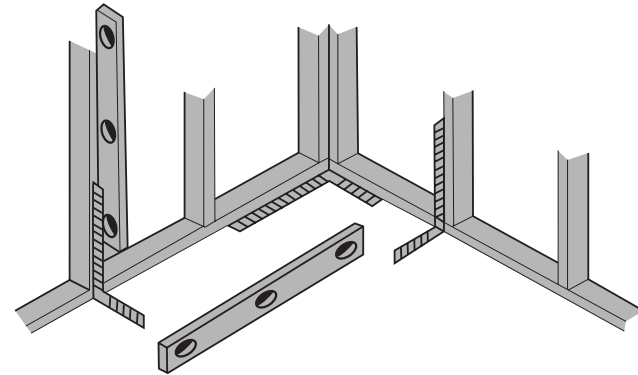
The Whitehaus Collection warranty for Commercial Installations is set at one (1) year. This limited warranty DOES NOT COVER the following:

1. Any defect or damage arising from shipping, installation, alterations, accidents, misuse, lack of proper maintenance and cleaning as directed in the Installation Instruction Manual.
2. Use of other than genuine Whitehaus Collection tubs replacement parts, in all cases whether caused by a plumbing contractor, service company, the owner or any other person.
3. Damage resulting from normal wear and tear and the expenditure on routine maintenance.
4. Commercial application.
5. Whitehaus Collection bathing tubs and accessories that have been previously repaired or replaced under this warranty.
6. Options and accessories. Whitehaus Collection's limited warranty on accessories is for parts only and is valid for one year. It excludes labor charges. This one year limited warranty covers accessories manufactured by Whitehaus Collection tubs (e.g. aprons, drains, grab bars, heaters, and trim kits) against flaws in raw material or workmanship. Warranty coverage is applicable from the actual date of purchase of accessory by the original owner.
7. Shipping charges incurred on replacement of products under the limited warranty and labor or any other cost incurred during product disposal or installation under this limited warranty.
8. Liability for consequential or incidental damages, all of which are hereby expressly disclaimed, or the extension beyond the time period of this limited warranty or any implied warranties, including those of merchantability or fitness for a particular purpose. (Some jurisdictions do not allow limitations on the validity of an implied warranty, or the exclusion or limitation of incidental or consequential damages, so these limitations and exclusions may not apply to you).

INSTALLATION

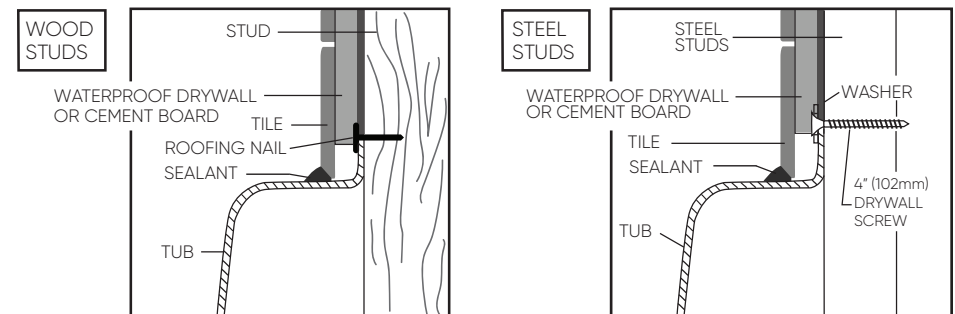
1. Locate studs as required. Ensure rough-in dimensions are proper, plumb, and square. It is strongly recommended that an additional opening be provided for access to the drain components.

Each alcove stud must be plumb and square.



Install drain components to the bath following the manufacturer's instructions. See the rough-in drawing for suggested opening size and location dimensions.

2. The subfloor beneath the tub must be level in both directions, shim the entire floor under the tub before installing the tub. (The rim of the bath MUST NOT support weight).
3. Check level front to back and side to side, shim as necessary. To secure the tub wood studs, use dry wall screws with flatwashers or roofing nails immediately above the flange of the bath. To secure the tub to steel studs, use 4" drywall screws and flatwashers.



4. Any finish material such as tile or wallboard must be self-supporting if it contacts the deck of the bath. Flooring will be butted against the bottom of the tub apron, also holding the tub in place.
5. Using recommended drain opening, connect bath drain to waste line. Tighten all drain joints securely.