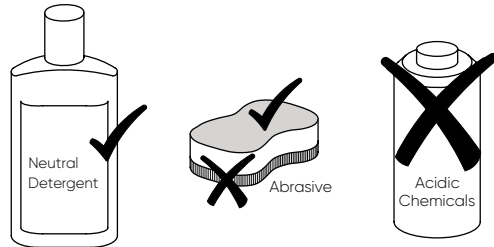


MAINTENANCE

Sink: Use only liquid cleansers or soapy water. Anti-lime or acidic cleaners such as scouring agents or abrasive sponges are to be avoided. Polish with a soft cloth.

Special finish: Clean leg support with mild soap and water. Wipe the entire surface dry with a dry, clean, soft cloth after each use.

DO NOT USE CLEANERS WHICH CONTAIN ACIDS, HARSH CHEMICALS OR ABRASIVES.



WARRANTY

Whitehaus Collection® vitreous lavatory sinks carry a limited warranty to be free of manufacturing defects of both material and workmanship.

Harm caused by improper cleaning, maintenance or installation are the sole responsibility of the purchaser and are not covered by the manufacturer's warranty.

Any cracks and chips due to misuse, damage, or improper installation, whether performed by a plumber, contractor, service provider, or unqualified person, may not be claimed under manufacturer's warranty.

WHITEHAUS COLLECTION

If you have any questions, please call us at:

Phone: 800-527-6690

Fax: 800-694-4837

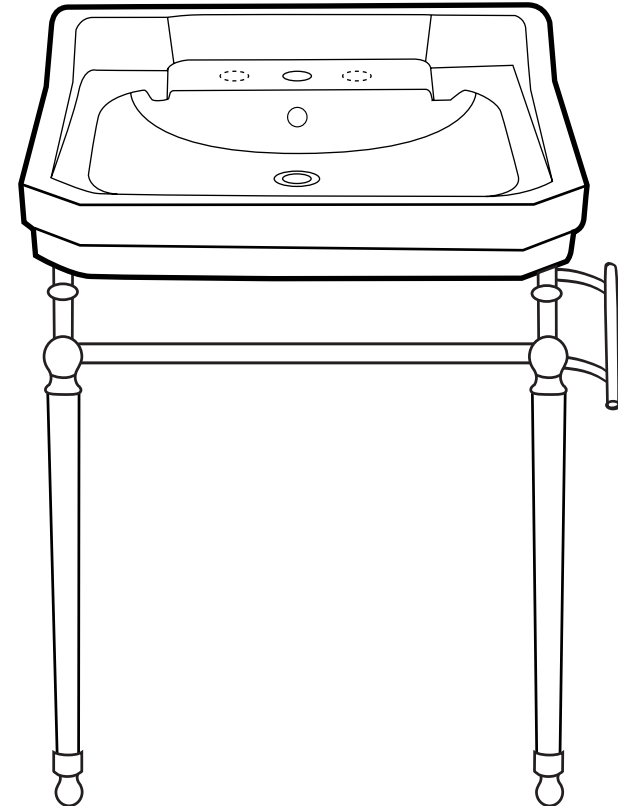
General inquiries: info@whitehauscollection.com

For purchase orders, email us at:
orders@whitehauscollection.com

WHITEHAUS COLLECTION

CONSOLE SINK WITH LEG SUPPORT

WHV024-L33

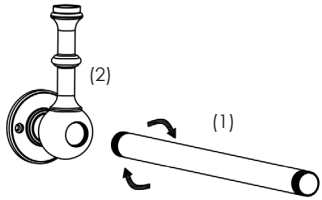


INCLUDES:

INSTALLATION
DIMENSIONS
MAINTENANCE
WARRANTY

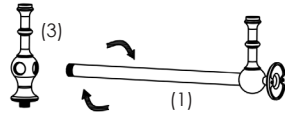
INSTALLATION

Step 1:



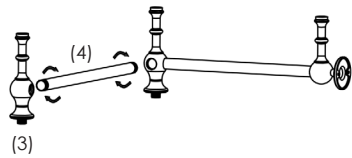
Connect side rail (1) to rear sink post (2). Make sure rail is securely fastened.

Step 2:



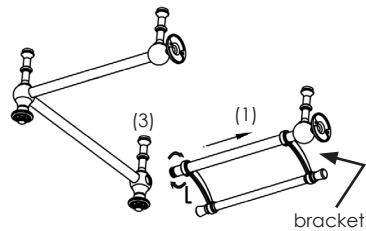
Connect side rail (1) to front support post (3).

Step 3:



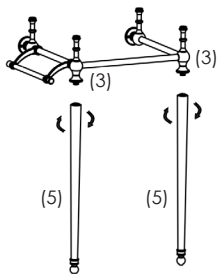
Connect extended front rail (4) to front support post (3).

Step 4:



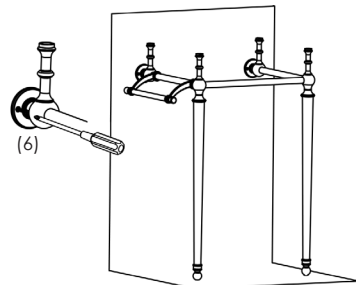
Slide the side rail (1) onto the bracket, attach it to the front support post (3), and secure the towel bar with a hex key.

Step 5:



Connect front support leg (5) to front support post (3).

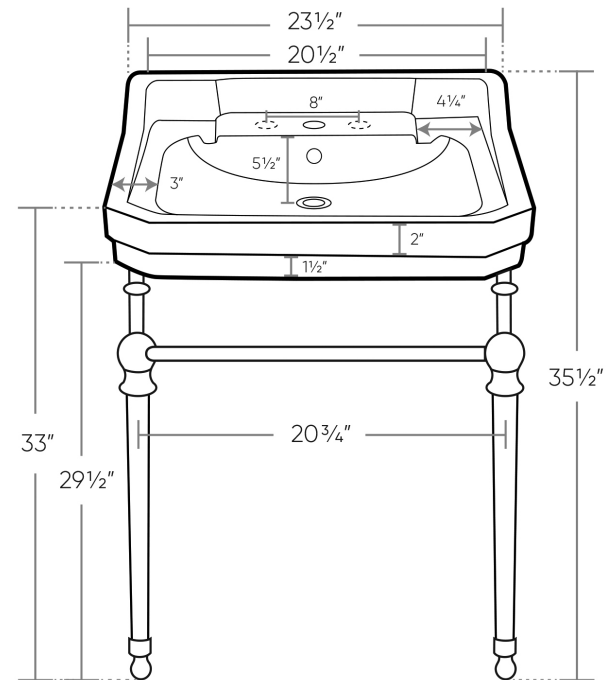
Step 6:



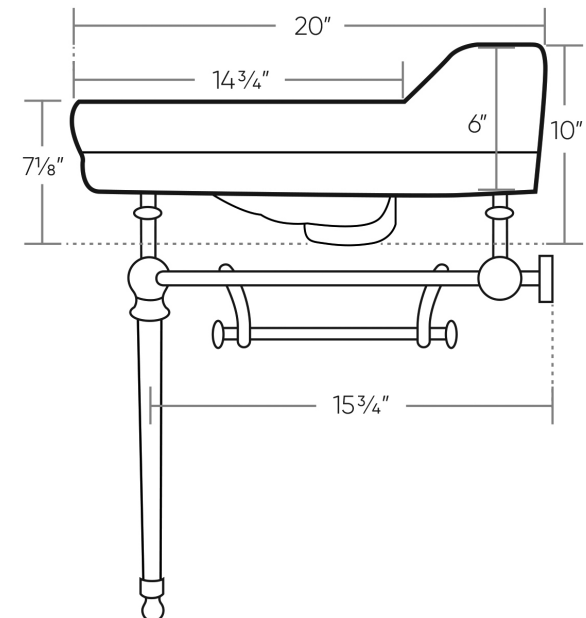
Once assembled, align the console against the wall and secure it with the provided screws (6).

DIMENSIONS

FRONT



SIDE



Note: The towel bar can be installed on either left, right or front of the console sink.