

# WHITEHAUS

COLLECTION

## INSTALLATION INSTRUCTIONS

### BATHROOM SINKS

#### Index

Installation Type	Page
Wall Mount	2
Pedestal	3
Above Mount	4
Semi-recessed	5
Drop-in	6
Undermount	7

## Tools and Materials



Pencil



Measuring Tape



Level



Jigsaw



Silicone  
Sealant 100%



Stud Finder



Drill



Damp Cloth



Wrench



Hammer



Screwdriver



Safety Goggles

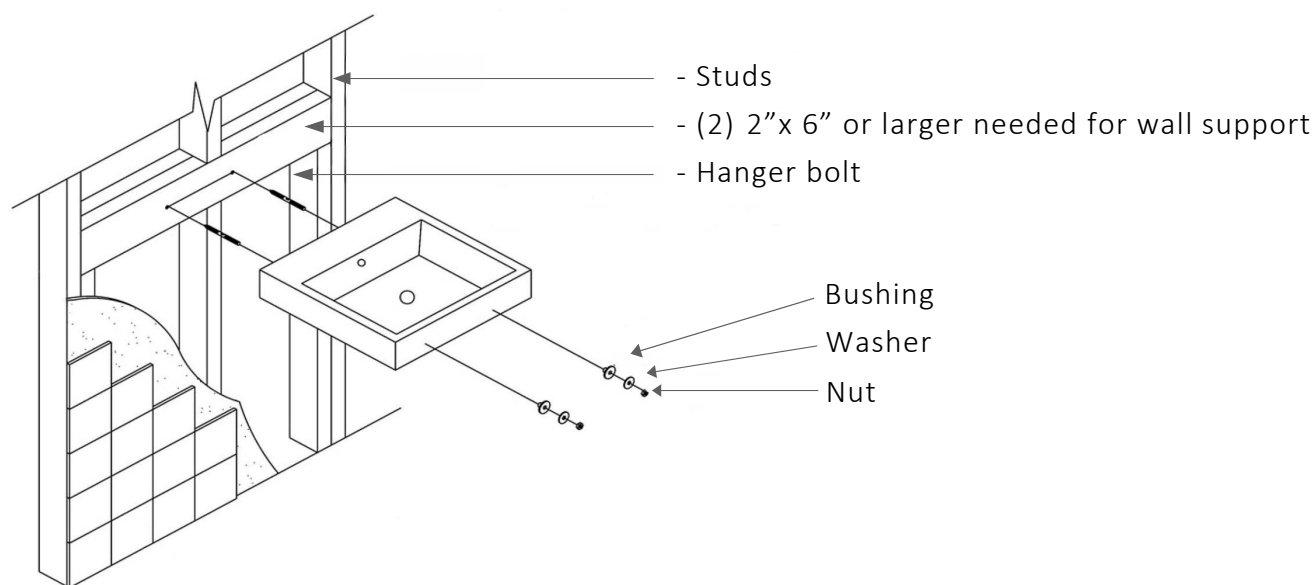
All necessary mounting hardware is provided.

## Pre-Installation Checklist

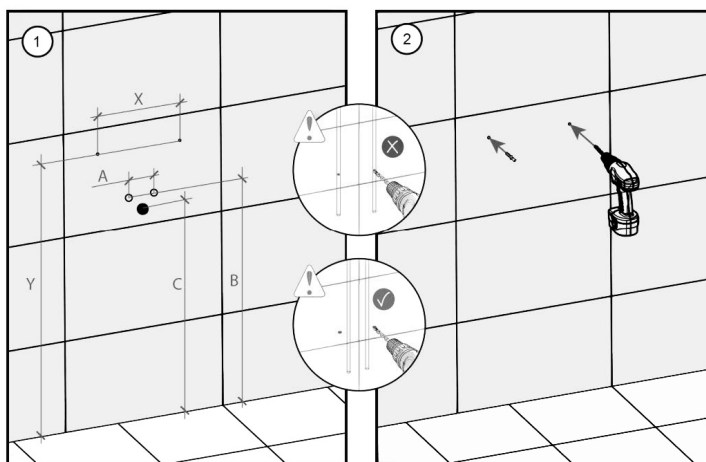
- Consult a professional if unfamiliar with installation.
- Verify you have all necessary materials and tools.
- Ensure wall backing provides adequate support for mounting hardware.
- Install wood blocking if studs don't align with sink.
- Confirm in-wall plumbing is prepared.

## Wall-Mount Sinks

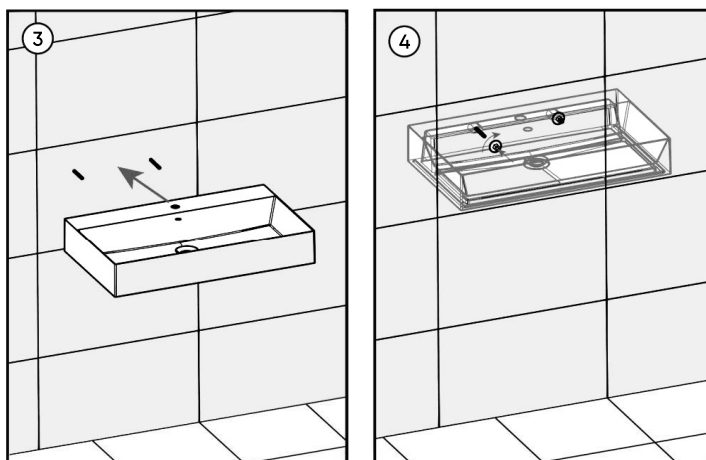
IMPORTANT: Make sure that water lines are properly flushed and cleared to avoid blockage.



1. Position the sink at the desired location and mark the mounting holes on the back.
2. Drill pilot holes at the marked locations.



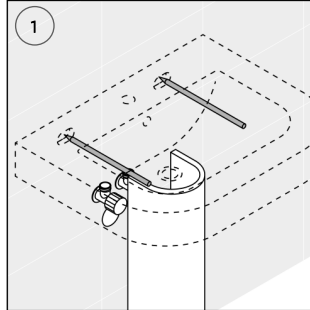
3. Insert anchors into pilot holes and screw on mounting hanger bolts.
4. Secure the sink with washers and nuts (avoid over-tightening).
5. Install drain, trap, water supply lines, and faucet.
6. Seal the sink-to-wall gap with a thin bead of silicone.
7. Wipe away excess sealant, then let it set for 30 to 60 minutes.



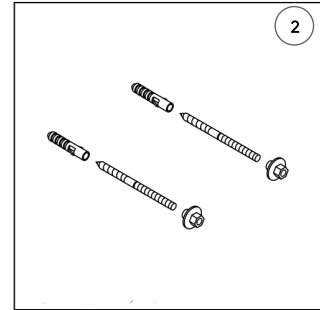
## Pedestal Sinks

**IMPORTANT:** Make sure that water lines are properly flushed and cleared to avoid blockage.

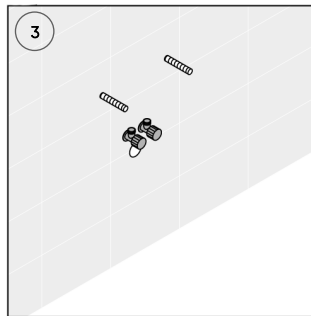
1. Position the sink and pedestal at the desired location and mark the mounting holes on the back.



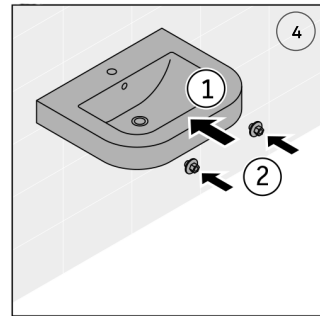
2. Drill pilot holes at the marked locations.



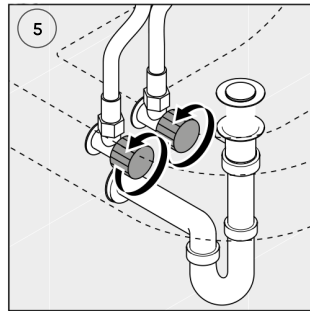
3. Insert anchors into pilot holes and screw on mounting hanger bolts.



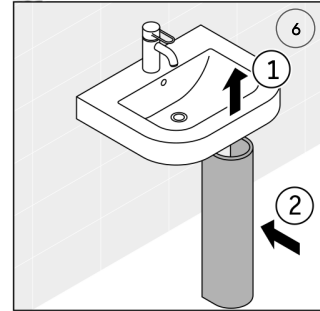
4. Re-position the sink at the installation location.



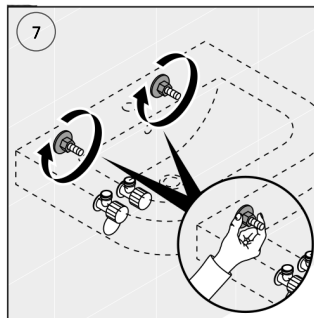
5. Install drain, trap, water supply lines, and faucet.



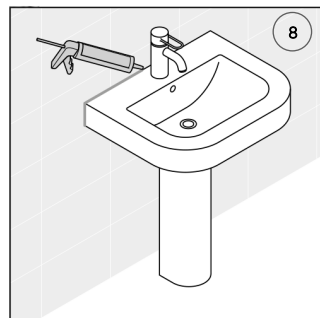
6. Re-position the pedestal under the sink.



7. Secure the sink with washers and nuts (avoid over-tightening).



8. Apply a thin bead of silicone around the sink-to-wall joint.



9. Wipe away excess sealant, then let it set for 30 to 60 minutes.

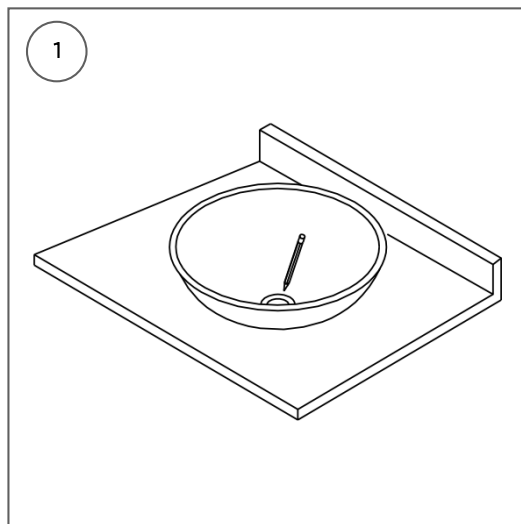


## Above Mount Sinks

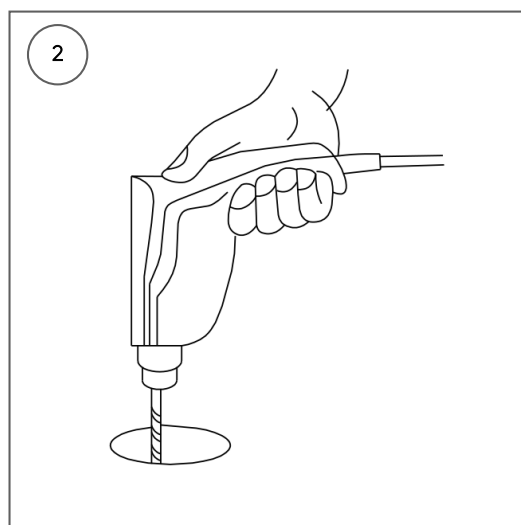
IMPORTANT: Make sure that water lines are properly flushed and cleared to avoid blockage.

1a. Position the sink on the countertop and mark the drain hole.

1b. Remove the sink.



2. Drill a 2.2" (55 mm) hole, or larger if necessary, at the marked location.



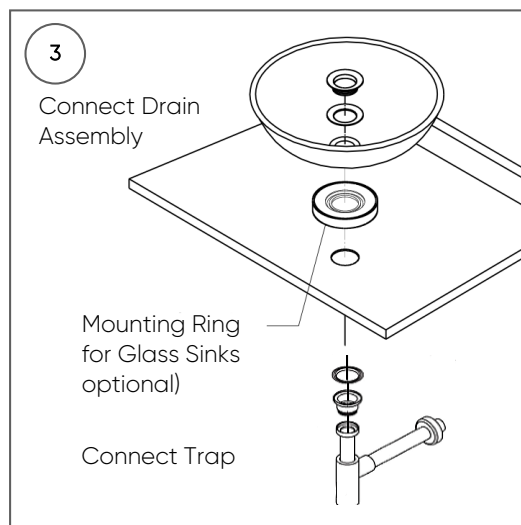
3a. Re-position the sink at the installation location.

3b. Secure the sink with washer and nuts (avoid over-tightening).

4. Install drain, trap, water supply lines, and faucet.

5. Seal the sink-to-countertop gap with silicone.

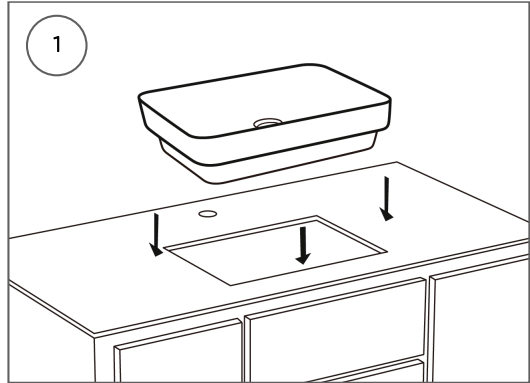
6. Wipe away excess sealant, then let it set for 30 to 60 minutes.



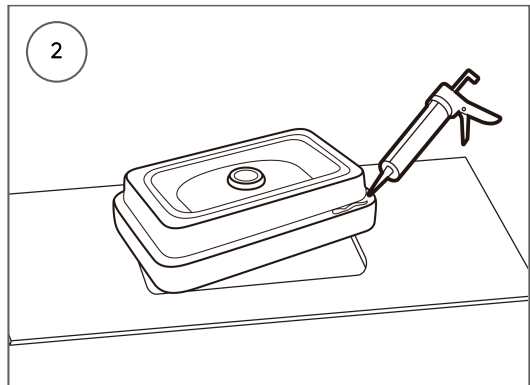
## Semi-Recessed Sinks

IMPORTANT: Make sure that water lines are properly flushed and cleared to avoid blockage.

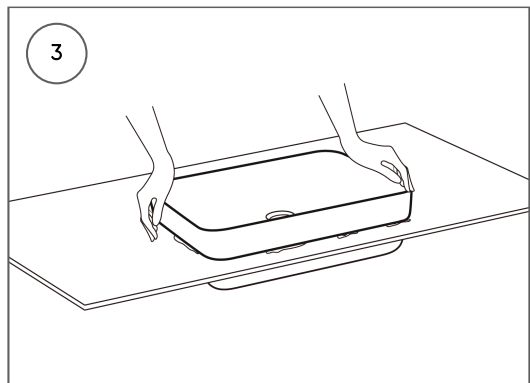
- 1a. Create openings for the sink and faucet.
- 1b. Temporarily place the sink to check cutout alignment.



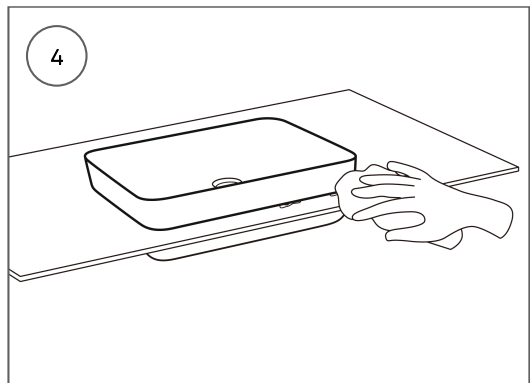
2. Apply a small amount of 100% silicone sealant to the sink's underside rim.



- 3a. Lower the sink into the cutout, pressing down firmly.
- 3b. Verify the sink is flush with the countertop.



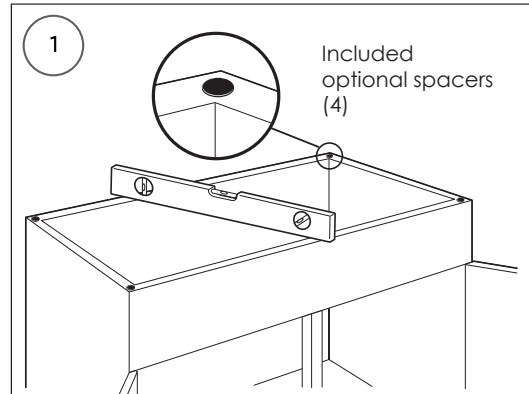
4. Wipe away excess sealant, then let it set for 30 to 60 minutes.
5. Install drain, trap, water supply lines, and faucet.



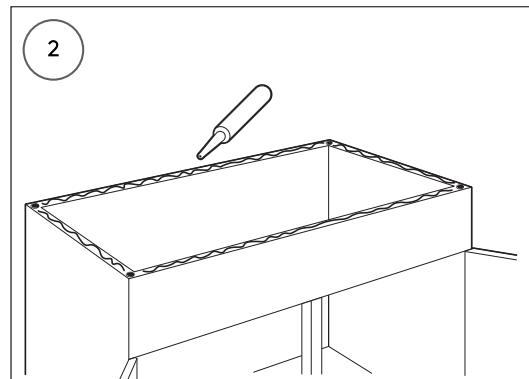
## Drop-in Countertop Sinks

IMPORTANT: Make sure that water lines are properly flushed and cleared to avoid blockage.

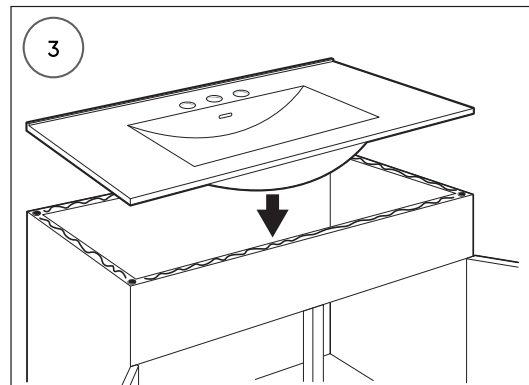
1. Using a level, ensure the top of the vanity is level. If needed, use the (4) included spacers to make sure the Countertop Vanity Sink sits properly.



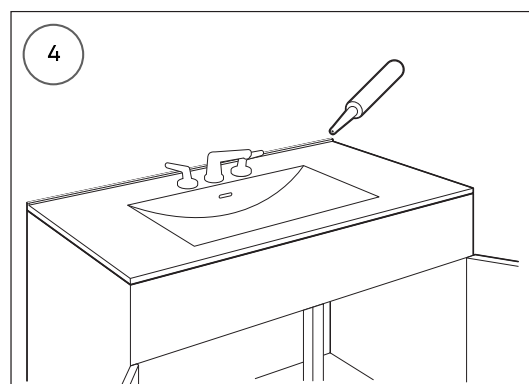
2. Apply a bead of silicon sealant around the top edge of the vanity.



3. Carefully place the Countertop Vanity Sink onto the vanity. Make sure the Countertop Vanity Sink is properly aligned.



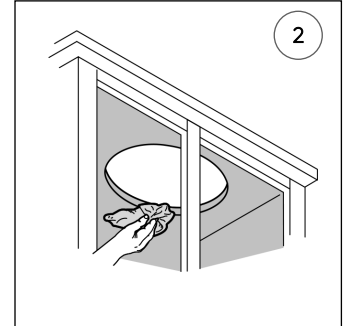
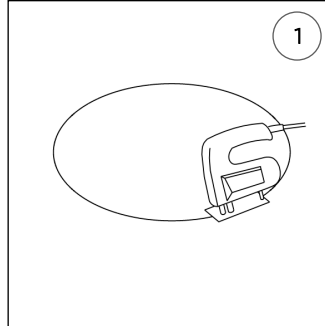
- 4a. After installation of the faucet and drain assembly, apply a bead of silicone sealant between the countertop and the wall.
- 4b. Wipe away excess sealant, then let it set for 30 to 60 minutes.



# Undermount Sinks

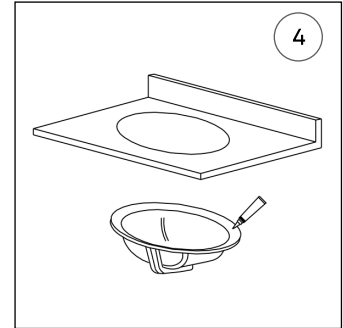
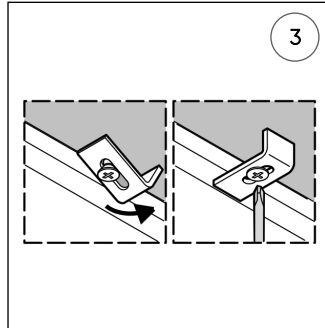
IMPORTANT: Make sure that water lines are properly flushed and cleared to avoid blockage.

- 1a. Verify countertop and cabinet clearance.
- 1b. Mark the sink's dimensions on the countertop, then cut along the lines.

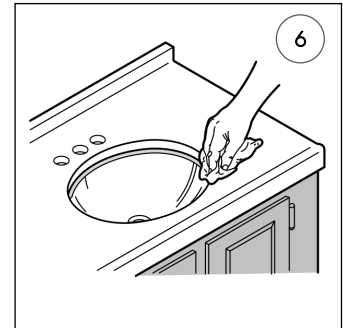
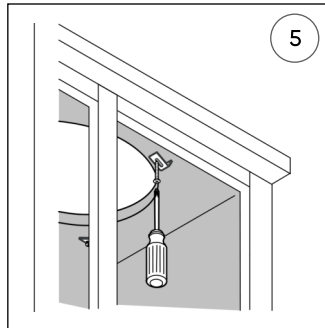


2. Clean the underside of the countertop and the rim of the sink.

3. Loosely install the clips.
4. Generously apply 100% silicone sealant around the rim.



5. Hold the sink in place and rotate each clip over the rim. Evenly tighten the clips to secure.
6. Wipe away excess sealant, then let it set for 30 to 60 minutes.
7. Install drain, trap, water supply lines, and faucet.



WHITEHAUS  
COLLECTION

For general questions or information:

General inquiries:

[info@whitehauscollection.com](mailto:info@whitehauscollection.com)

Phone: 800-527-6690