

FAUCET INSTALLATION

Before installing a new faucet, properly flush out the pipework to remove any debris.

1. Insert faucet into sink with O-rings between the body and deck.
2. Make sure center post is flush with countertop. Adjustment can be made at the center flange by turning either clockwise or counterclockwise for a proper fit.
3. From under sink, slip on rubber washer and metal washers, followed by nuts. Tighten the nuts.

NOTE: Mounting plate included with faucet. May be used underneath sink/counter for installation (this provides additional support). If not used for install, you may dispose accordingly.

SIDESPRAW INSTALLATION

4. Place side spray holder through hole in sink. From under the sink, slip on metal washer followed by mounting nut. Tighten mounting nut firmly.
5. With side spray hose on hand, feed hose down through mounted holder. From under the sink attach the end of those hose connection to center outlet of your faucet.

NOTE: If sidespray not required, please use cap provided with faucet.

BEFORE USE

6. From under the sink firmly connect the hot and cold water directly to the shanks. Do not overtighten flexible supply lines (not supplied).
7. Remove aerator.
8. Turn on hot and cold supplies to the faucet, checking for leaks at all connections.
9. Replace aerator.

High pressure differentials between cold and hot water connection must be avoided.

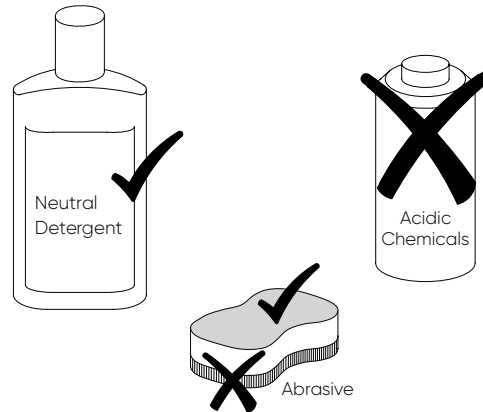
We reserve the right to introduce technical changes without notice.

MAINTENANCE

Chrome faucets: Use only liquid cleansers or soapy water. Anti-lime or acidic cleaners such as scouring agents or abrasive sponges are to be avoided. Polish with a soft cloth.

Special finish faucets: Clean faucet with mild soap and water. Wipe the entire surface dry with a dry, clean, soft cloth after each use.

DO NOT USE CLEANERS WHICH CONTAIN ACIDS, HARSH CHEMICALS OR ABRASIVES.



WHITEHAUS COLLECTION

If you have any questions, please call us at:

Phone: 800-527-6690

Fax: 800-694-4837

General inquiries:

info@whitehauscollection.com

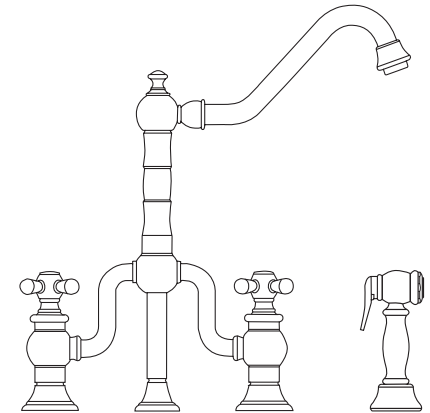
For purchase orders, email us at:

orders@whitehauscollection.com

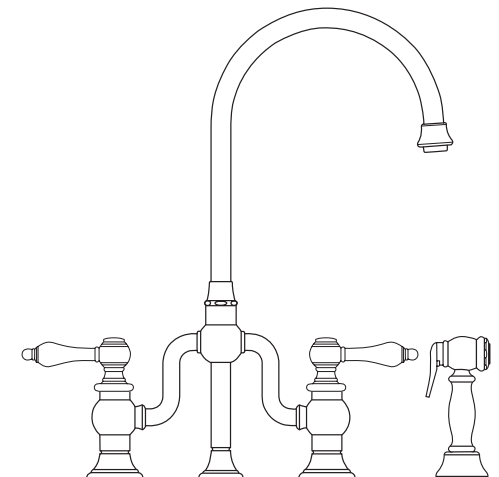
WHITEHAUS COLLECTION

LONG SWIVEL SPOUT BRIDGE FAUCET

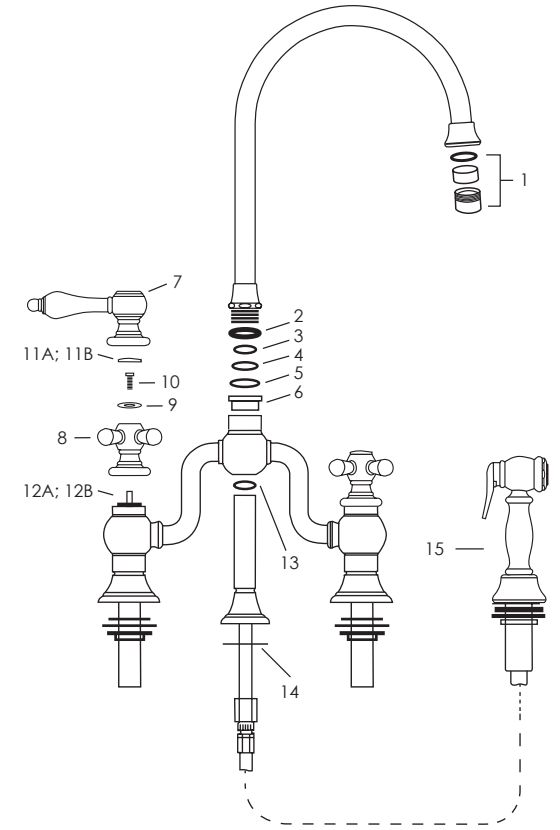
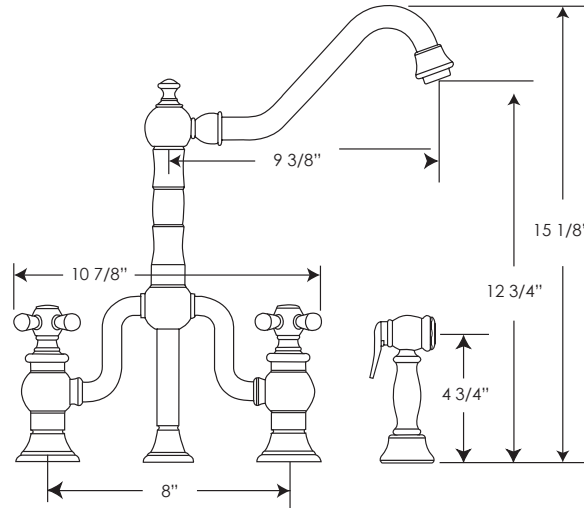
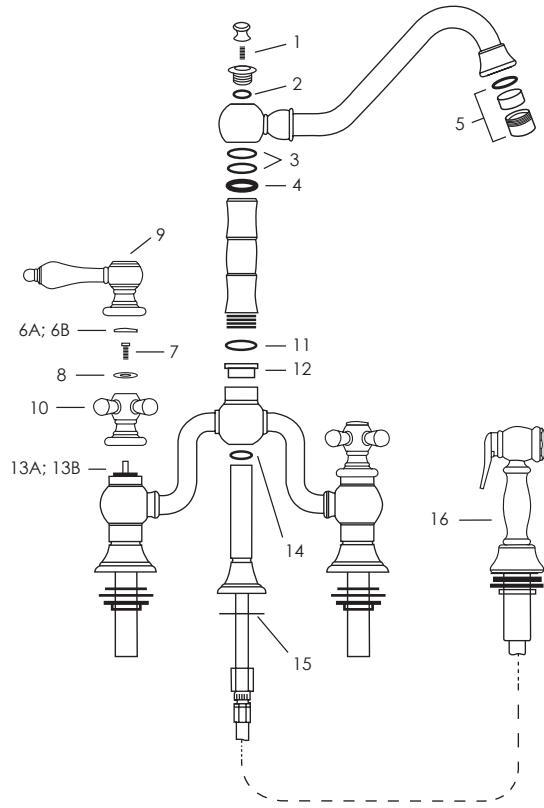
WHTTSLV3-9771-NT • WHTTSCR3-9771-NT
TRADITIONAL



WHTTSLV3-9773-NT • WHTTSCR3-9773-NT
GOOSENECK



9771-NT DIMENSIONS



9773-NT PARTS LIST

1	Aerator	WH-HAM-AER
2	O-Ring	B1E2-14-NW
3	O-Ring	B1E0-83-NW
4	O-Ring	B1E2-29-NW
5	Plastic Slip Washer	C2F0-81-NW
6	Diverter	M4X0-12-HC
7	Lever Handle	D2A4-67-LM
8	Cross Handle	D2A4-66-LM
9	Washer	C2D0-84-NW
10	Handle Screw	A2A1-05-NW
11A	Handle Cap "H"	D4A0-91-TM
11B	Handle Cap "C"	D4A0-90-TM
12A	Cartridge/Stem "H"	L1W1-40-NW
12B	Cartridge/Stem "C"	L1W1-41-NW
13	Fiber Washer	B3E0-37-NW
14	Mounting O-Ring	B1E2-15-NW
15	Sidespray	Q6W1-06-HC

9771-NT PARTS LIST

1	Set Screw	A2C0-91-NW
2	O-Ring	B1E1-21-NW
3	O-Ring	B1E2-13-NW
4	Plastic Slip Washer	C2F0-78-NW
5	Aerator	WH-HAM-AER
6A	Handle Cap "H"	D4A0-91-TM
6B	Handle Cap "C"	D4A0-90-TM
7	Handle Screw	A2A1-05-NW
8	Washer	C2D0-84-NW
9	Lever Handle	D2A4-67-LM
10	Cross Handle	D2A4-66-LM
11	O-Ring	B1E2-14-NW
12	Diverter	M4X0-12-HC
13A	Cartridge/Stem "H"	L1W1-40-NW
13B	Cartridge/Stem "C"	L1W1-41-NW
14	Fiber Washer	B3E0-37-NW
15	Mounting O-Ring	B1E2-15-NW
16	Sidespray	Q6W1-06-HC

9773-NT DIMENSIONS

