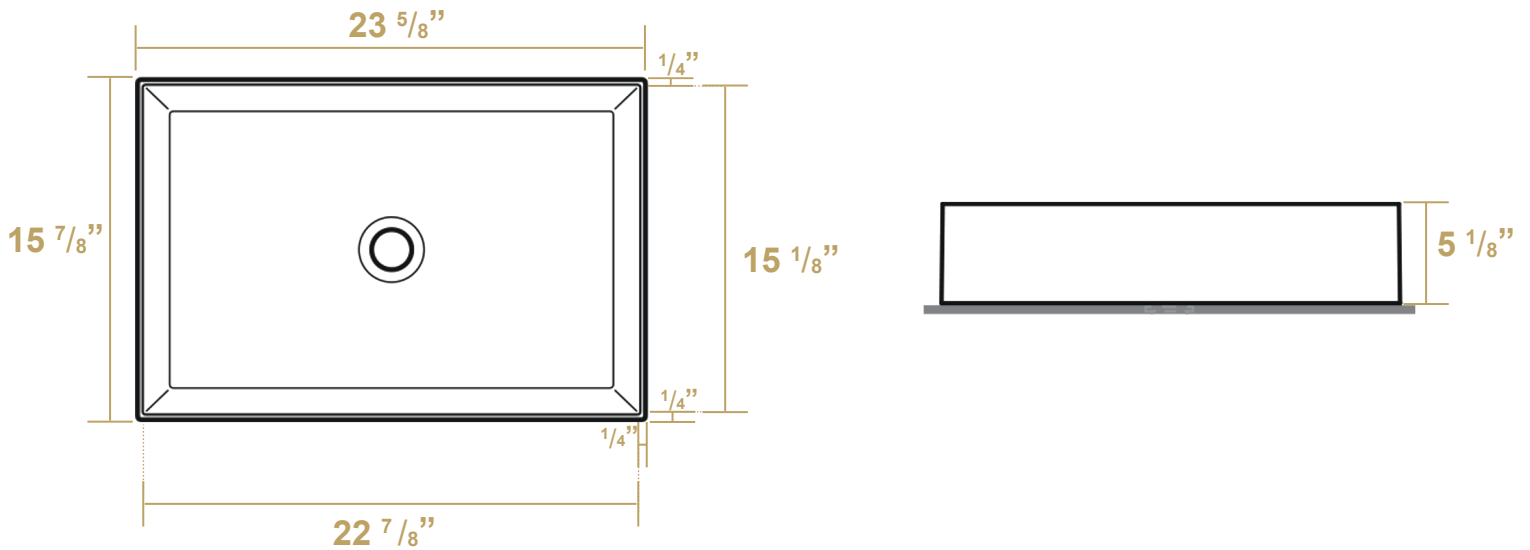




B-AG60

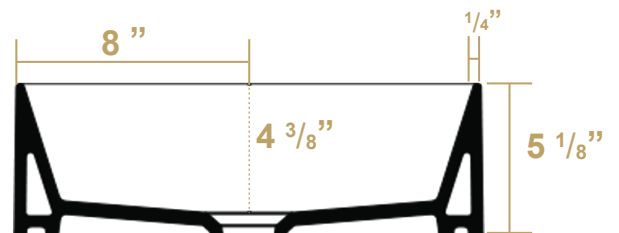


Overall Dimensions

$23 \frac{5}{8}'' \times 15 \frac{7}{8}'' \times 5 \frac{1}{8}''$

Inside Dimensions

$22 \frac{7}{8}'' \times 15 \frac{1}{8}'' \times 4 \frac{3}{8}''$



Britannia

LIVE WITH STYLE!